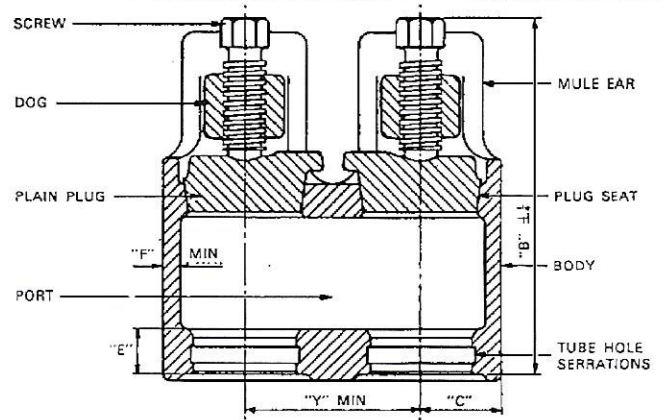


# Key type 1900

**RAPID RESPONSE CAST PRODUCTS LTD**  
**WEST MIDLAND HOUSE, GIPSY LANE,**  
**WILLENHALL,**  
**WEST MIDLAND, UNITED KINGDOM**  
**WV13 2HA, ENGLAND**  
**TELE: +44 121 609 7286**  
**FAX: +44 121 609 7287**



This Fitting, with a 'Mule-ear' top construction, is the most popular of all Return Bends and is highly suited to wide general use under most operating conditions. It is produced in five standard series, and variations in body and plug materials facilitate the use of this type of fitting over a wide range of temperatures and pressures.

KEY type 1900 can also be supplied in sizes up to 8 5/8" (219mm) for low pressure (300 lb./in.<sup>2</sup> 21.1 kg./cm.<sup>2</sup>) or vacuum service. For higher pressure ratings refer to KEY type 7000MS on pages 12 and 13

For Welding Type fittings see page 8 .

## DIMENSIONS (inches)

Dimensions are determined by first locating the proposed operating temperature on the pressure rating chart on page 16. If the specified operating pressure exceeds the maximum pressure given in the 500 lb. series for that temperature, check in turn against 850 lb., 1275 lb., 1700 lb. and 2000 lb. to determine the proper series. Then find in the dimension charts given below the series thus chosen. Approximate dimensions are listed opposite the desired outside tube diameter. In case of fractional tube sizes between those listed, use the information given for next larger size.

**Note:** Any increase in dimension E, or the addition of a tube stop must be added to dimension B.

### IMPORTANT

The 500 lb. series fittings are only equipped with small plugs. Certain limitations must be applied with regard to the maximum tube I.D.'s as follows:

Fitting size		3"		3 1/2"	4"	4 1/2"	5"	5 1/2"/5 7/8"	6"	6 1/2"
mm	76	89	102	114	127	140/141	152	168		
Max. tube I.D.		2 5/8"	3 1/8"	3 1/2"	4"	4 5/8"	5 1/8"	5 5/8"	6 1/8"	
mm	66	79	89	102	117	130	143	156		

### 500 LB. SERIES

SIZE	Y	B	C	E	F	PLUG SM. DIA.	*MAX. TUBE WALL
3	5	11	2 5/8	1 1/4	1 1/2	2 5/8	3/8
3 1/2	5 1/2	11 1/8	2 7/8	1 3/8	1 1/2	3 1/8	3/8
4	6	12 1/2	2 1 1/8	1 1/2	1 1/2	3 5/8	3/8
4 1/2	6 3/8	13 1/8	3 1/8	1 5/8	1 5/8	4 1/8	3/8
5	7 1/2	15	3 3/8	1 3/4	1 3/4	4 3/8	3/8
5 1/2	7 5/8	16 1/4	3 5/8	1 7/8	1 7/8	5 1/8	3/8
6	8 1/2	17	3 7/8	2	2	5 3/8	3/8
6 1/2	8 3/8	18 1/8	4 1/4	2 1/8	2 1/8	6 1/8	3/8

\*"Maximum tube wall" is the recommended maximum wall thickness of tubes which can be rolled into fittings without setting up excessive stresses in the tube hole area. If heavier wall tubes are to be used, additional metal must be added to the tube rolling section or a heavier series selected, increasing the minimum centres in either case. Consult L&E for further details.

### 850 LB. SERIES

SIZE	Y	B	C	E	F	PLUG SM. DIA.	*MAX. TUBE WALL
2	4 1/4	9 9/16	1 5/8	1	1 1/8	2 1/8	7/16
2 1/2	4 3/4	10 1/2	2 1/8	1 1/8	1 1/8	2 3/8	7/16
3	5 1/4	11 1/2	2 1/4	1 1/4	1 1/8	3 1/8	7/16
3 1/2	5 5/8	12 1/2	2 3/4	1 3/8	1 3/8	3 3/8	7/16
4	6 1/2	13 1/8	3	1 1/2	1 3/8	4 1/8	7/16
4 1/2	7 1/8	14 1/8	3 3/8	1 5/8	1 5/8	4 3/8	7/16
5	7 3/4	15 1/8	3 5/8	1 3/4	1 3/4	5 1/8	7/16
5 1/2	8 1/2	17 1/8	3 7/8	1 7/8	1 7/8	5 3/8	7/16
6	9	18 1/2	4 1/2	2	2	6 1/8	7/16
6 1/2	9 3/4	19 1/8	4 3/4	2 1/8	2 1/8	6 3/8	7/16

### 1275 LB. SERIES

SIZE	Y	B	C	E	F	PLUG SM. DIA.	*MAX. TUBE WALL
2	4 3/8	10	2	1 1/4	1 1/8	2 1/8	7/16
2 1/2	5	10 1/8	2 1/8	1 3/8	1 1/8	2 3/8	7/16
3	5 1/2	11 1/8	2 1/4	1 1/2	1 1/8	3 1/8	7/16
3 1/2	6 1/8	12 1/8	2 3/4	1 3/4	1 3/8	3 3/8	7/16
4	6 3/4	14 3/8	3 1/8	1 3/4	1 3/8	4 1/8	7/16
4 1/2	7 1/8	15 3/8	3 1/4	1 5/8	1 5/8	4 3/8	7/16
5	8	16 1/2	3 3/4	2	2	5 1/8	7/16
5 1/2	8 7/8	18 1/8	4 1/8	2 1/8	2 1/8	5 3/8	7/16
6	9 1/2	19 1/8	4 1/2	2 1/4	2 1/4	6 1/8	7/16
6 1/2	10 1/2	21	5	2 3/8	2 3/8	6 3/8	7/16

### 1700 LB. SERIES

SIZE	Y	B	C	E	F	PLUG SM. DIA.	*MAX. TUBE WALL
2	4 5/8	10 1/2	2 1/8	1 1/2	1 1/8	2 1/8	7/16
2 1/2	5 1/8	11 1/2	2 1/4	1 3/8	1 1/8	2 3/8	7/16
3	5 7/8	12 1/8	2 3/4	1 3/4	1 1/8	3 1/8	7/16
3 1/2	6 1/4	13 1/8	3 1/8	1 3/4	1 3/8	3 3/8	7/16
4	7 1/8	15 3/8	3 3/4	2	2	4 1/8	7/16
4 1/2	7 3/8	16 3/8	3 7/8	2 1/8	2 1/8	4 3/8	7/16
5	8 1/2	18 3/8	4	2 1/4	2 1/4	5 1/8	7/16
5 1/2	9 1/4	19 1/8	4 1/8	2 3/8	2 3/8	5 3/8	7/16
6	9 3/4	20 1/8	4 3/8	2 3/4	2 3/4	6 1/8	7/16

### 2000 LB. SERIES

SIZE	Y	B	C	E	F	PLUG SM. DIA.	*MAX. TUBE WALL
2	4 7/8	10 7/8	2 1/4	1 3/4	1 1/8	2 1/8	7/16
2 1/2	5 1/2	12 3/8	2 1/2	1 5/8	1 1/8	2 3/8	7/16
3	6 1/8	13 3/8	2 3/4	2	1	3 1/8	7/16
3 1/2	6 3/4	15 1/8	3 1/8	2 1/8	1 1/8	3 3/8	7/16
4	7 3/8	16 1/2	3 1/2	2 1/4	1 1/4	4 1/8	7/16
4 1/2	8 1/8	18 1/8	3 7/8	2 3/8	1 3/4	4 3/8	7/16
5	8 3/4	19 3/8	4 1/8	2 1/2	1 1/2	5 1/8	7/16